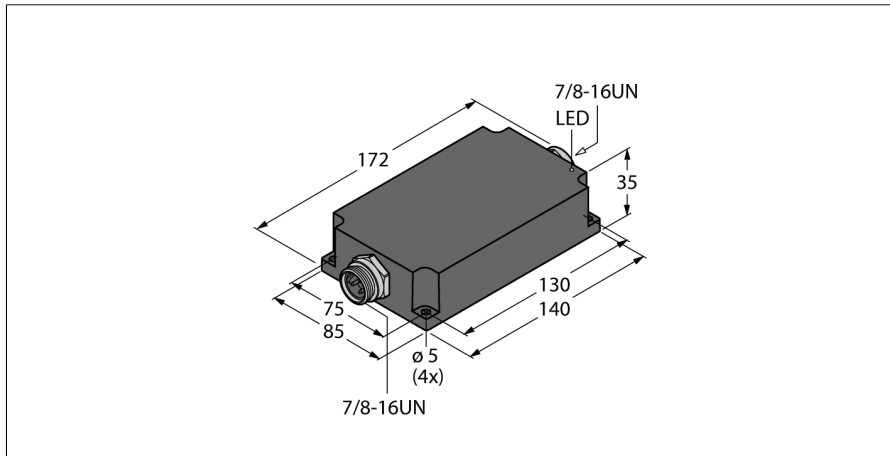
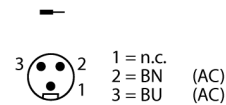


Compact power supply module in IP67
24 VDC output voltage - 2 A output current
PSU67-11-2420/M

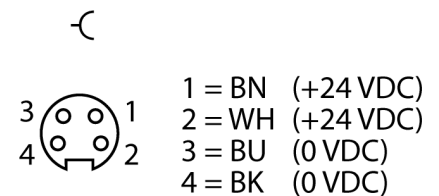


- Broad temperature range
- Status LED
- AC and DC wide-range input
- Mains buffering up to 50 ms
- High efficiency
- No-load and short-circuit proof
- Natural air cooling

7/8" Input Assignment



7/8" Output Assignment



Type designation	PSU67-11-2420/M
Ident no.	6884140
Nominal voltage	Universal voltage supply unit
Operating voltage	100...240 VAC
Frequency	50...60 Hz
Operating voltage range	100...300 VDC
External fuse	B10A, C10A
Mains buffering	Ui: 100...240 VAC/ 50 ms
Nominal output voltage	24 V
Nominal current	2 A
Overload protection	105-130 %
Parallel mode	no
Ripple	240 mV
Short-circuit behaviour	Current limiting
Approval	CE-compliant UL-certified RoHS-compliant IEC 60950-1 / EN 61010-1 / UL60950-1 / UL508 (electrical safety) EN 61000-6-2 (interference immunity) EN 61000-6-3 (emitted interference) EN 61000-3-2 (harmonic)
Power on display	LED, Green
Protection class	IP67
Ambient temperature	-25...+60 °C
Storage temperature	-40...+85 °C
Derating	2 % / K (50 °C)
Dimensions	85 x 172 x 35 mm
Weight	833 g
Housing material	Glass fiber-reinforced polyamide, PA66-GF25
Electrical connection	Connector
MTTF	87 years acc. to SN 29500 (Ed. 99) 40 °C