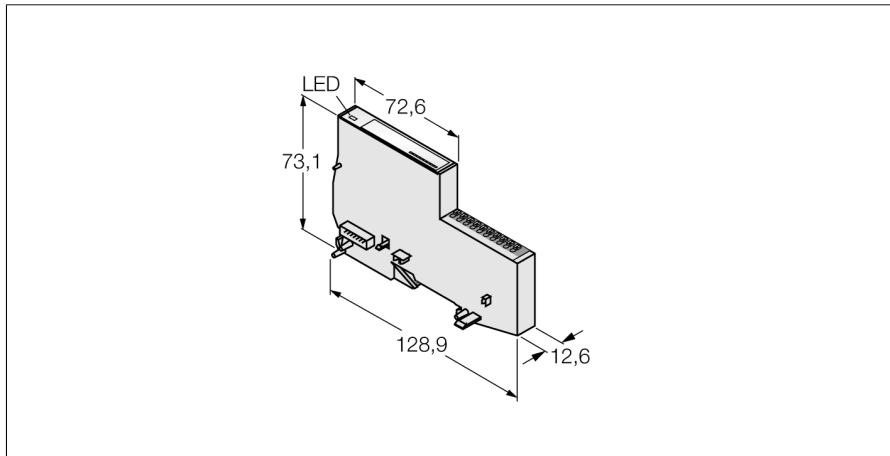


BL20 Economy Module
8 Digital Inputs, PNP
BL20-E-8DI-24VDC-P



- Fieldbus-independent
- Electronics and connection technology in one housing
- Connectivity: Push-in terminals
- Protection class IP20
- 8 digital inputs, 24 VDC
- P switching

Functional principle

Electronics and connection technology are integrated in the housing. A base module is not needed. Economy modules and modules with separate electronics and connection technology can be fitted into a station, provided the base modules feature tension spring connections.

The use of gateways makes economy modules completely independent from the higher level fieldbus.

Type designation	BL20-E-8DI-24VDC-P
Ident no.	6827227
Number of channels	8
Rated voltage from the supply terminal	24 VDC
Admissible range	18...30 VDC
Nominal current from field supply	≤ 2 mA
Nominal current from module bus	≤ 15 mA
Power dissipation, typical	≤ 1.5 W
Input type	NPN
Low level signal voltage	-30...+5 V
High level signal voltage	11...30 V
Low level signal current	-1...+1.5 mA
High level signal current	2...5 mA
Input delay	< 0.2 ms
Electrical isolation	electronics for the field level
Output connectivity	Push-in
Dimensions (W x L x H)	12.6 x 128.6 x 74.6mm
Approvals	CE, cULus, zone 2, Class I, Div. 2
Ambient temperature	0...+55 °C
Storage temperature	-25...+85 °C
Relative humidity	5 to 95% (internal), Level RH-2, no condensation (at 45 °C storage)
Vibration test	Acc. to EN 61131
Shock test	Acc. to IEC 60068-2-27
Drop and topple	acc. to IEC 68-2-31 and free fall to IEC 68-2-32
Electromagnetic compatibility	Acc. to EN 50082-2
Protection class	IP20
MTTF	1421 years acc. to SN 29500 (Ed. 99) 20 °C

BL20 Economy Module
8 Digital Inputs, PNP
BL20-E-8DI-24VDC-P

Terminal assignment

	<p>Digital Inputs</p>	<p>Pin Assignment</p> 
---	------------------------------	--

BL20 Economy Module
8 Digital Inputs, PNP
BL20-E-8DI-24VDC-P

Accessories

Type code	Ident no.		Dimension drawing
BL20-E-10UL	100001335	BL20 ECO module with 10 connection terminals for wiring 24 VDC potential from the UL field supply	
BL20-E-10GNDL	100001336	BL20 ECO module with 10 connection terminals for wiring GND potential from the UL field supply	
BL20-E-16UL	100001337	BL20 ECO module with 16 connection terminals for wiring 24 VDC potential from the UL field supply	
BL20-E-16GNDL	100001338	BL20 ECO module with 16 connection terminals for wiring GND potential from the UL field supply	