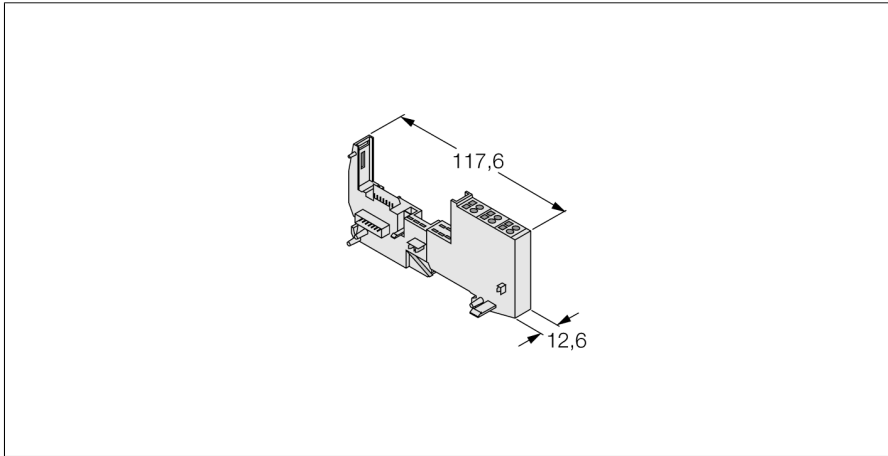


BL20 base module
Tension spring connection
BL20-S3T-SBB

- Passive connection components for sensors and actuators
- Quick replacement of electronics in wired state
- Mechanical coding prevents plugging of wrong electronic module
- Protection class IP20
- Tension spring connection
- Disc design

Type designation	BL20-S3T-SBB
Ident no.	6827044
Protection class	IP20