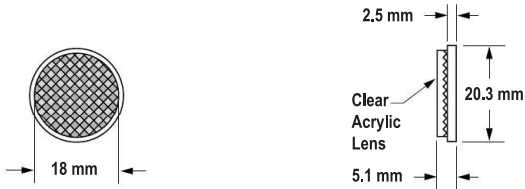


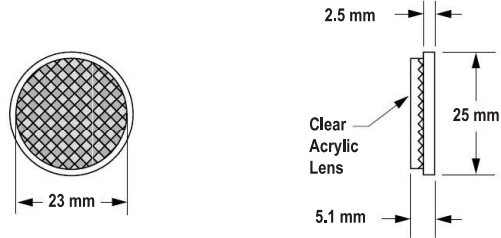
**BRT-6**

Description: Round, acrylic target  
 Reflectivity Factor: 1.0  
 Temperature: -20° to +60° C



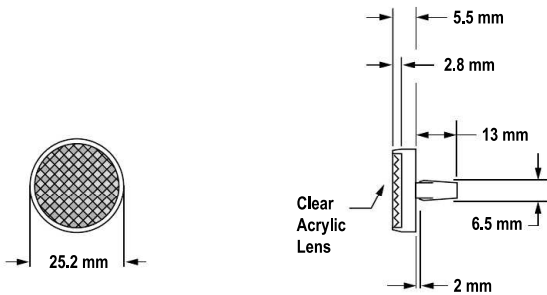
**BRT-1**

Description: Round, acrylic target  
 Reflectivity Factor: 1.0  
 Temperature: -20° to +60° C



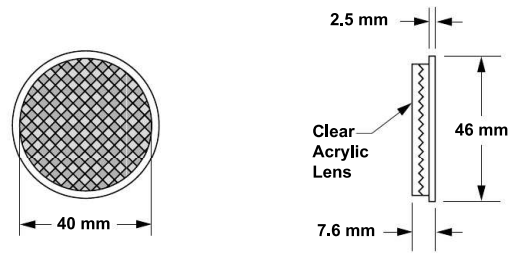
**BRT-25R**

Description: Round, rivet-secured acrylic target  
 Reflectivity Factor: 1.0  
 Temperature: -20° to +60° C



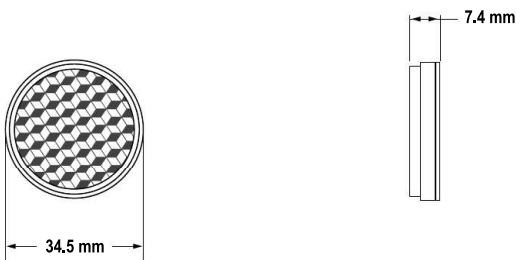
**BRT-1.5**

Description: Round, acrylic target  
 Reflectivity Factor: 1.0  
 Temperature: -20° to +60° C



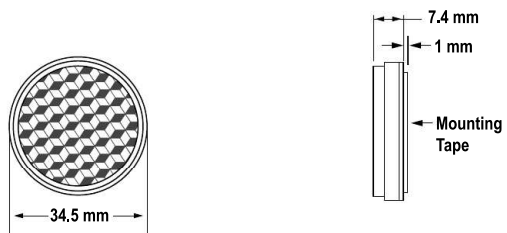
**BRT-34**

Description: Round, acrylic target  
 Reflectivity Factor: 1.2  
 Temperature: -20° to +60° C



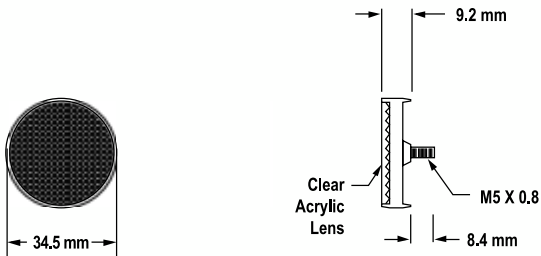
**BRT-34T**

Description: Round, acrylic target includes mounting tape  
 Reflectivity Factor: 1.2  
 Temperature: -20° to +60° C



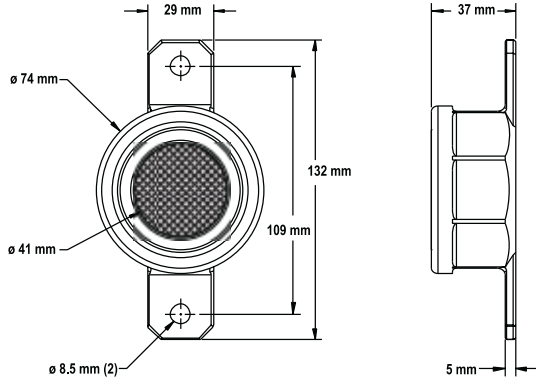
**BRT-35DM**

Description: Round, acrylic target with mounting stud  
 Reflectivity Factor: 1.2  
 Temperature: -20° to +60° C  
 Other: This target has micro-prism geometry.



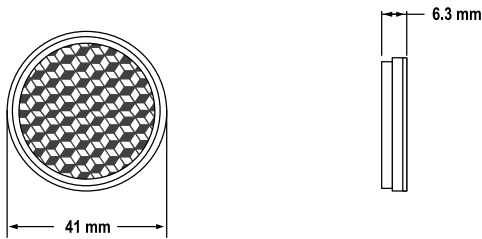
**BRT-41AHT**

Description: Round, borosilicate (Pyrex type) glass target  
 Reflectivity Factor: 1.0  
 Temperature: -20° to +200° C



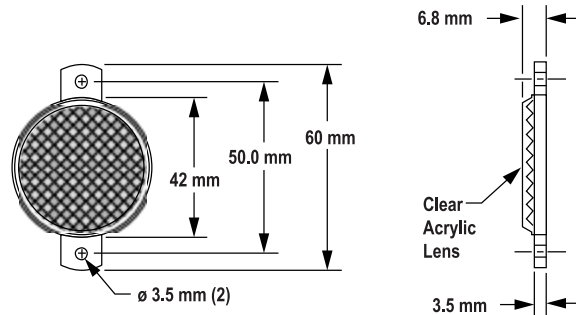
**BRT-42**

Description: Round, acrylic target  
 Reflectivity Factor: 1.0  
 Max. Temperature: 65° C



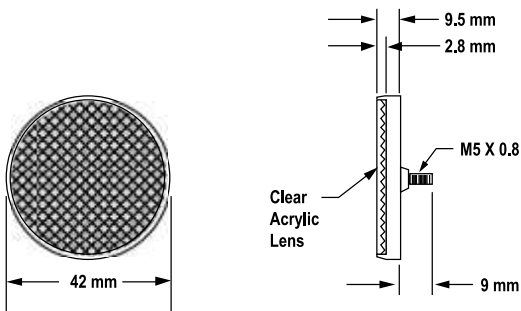
**BRT-42A**

Description: Round, acrylic target  
 Reflectivity Factor: 1.0  
 Temperature: -20° to +60° C



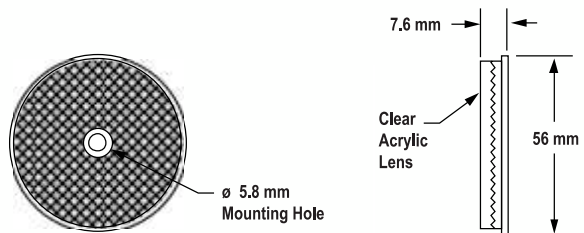
**BRT-42D**

Description: Round, acrylic target with mounting stud  
 Reflectivity Factor: 1.0  
 Temperature: -20° to +60° C



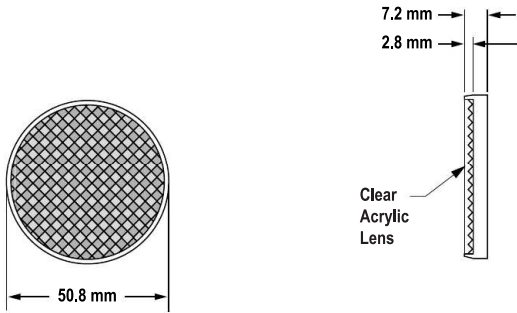
**BRT-2A**

Description: Round, acrylic target  
 Reflectivity Factor: 1.0  
 Max. Temperature: 65° C



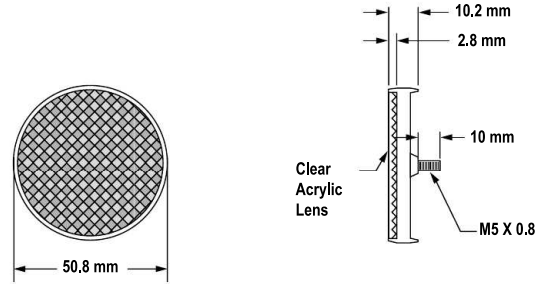
**BRT-50**

Description: Round, acrylic target  
 Reflectivity Factor: 1.0  
 Temperature: -20° to +60° C



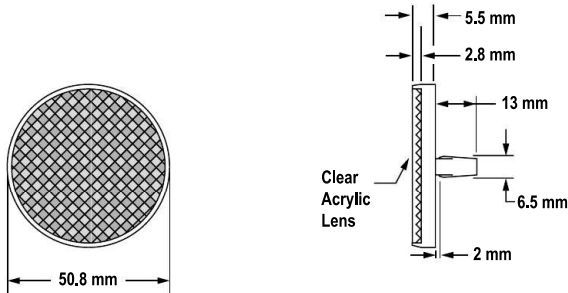
**BRT-50D**

Description: Round, acrylic target with mounting stud  
 Reflectivity Factor: 1.0  
 Temperature: -20° to +60° C  
 Other: Optional brackets are available.



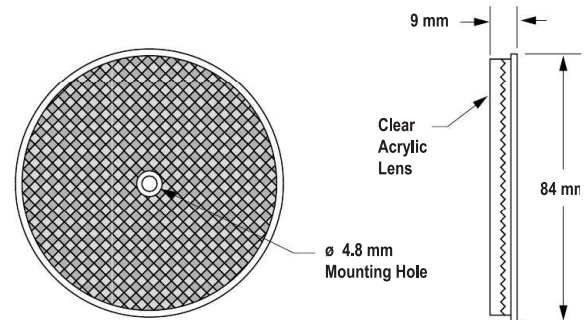
**BRT-50R**

Description: Round, rivet-secured acrylic target  
 Reflectivity Factor: 1.0  
 Max. Temperature: -20° to +60° C  
 Other: Optional brackets are available.



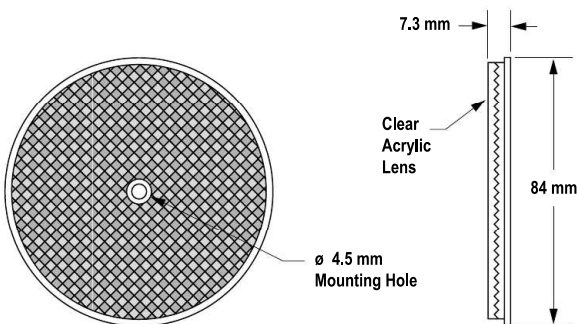
**BRT-3**

Description: Round, acrylic target  
 Reflectivity Factor: 1.0  
 Temperature: -20° to +60° C  
 Other: Optional brackets are available.



**BRT-84**

Description: Round, acrylic target  
 Reflectivity Factor: 1.4  
 Max. Temperature: -20° to +60° C  
 Other: Optional brackets are available.



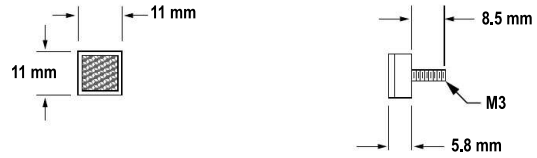
**BRT-11X11M**

Description: Square, acrylic target  
 Reflectivity Factor: 1.2  
 Temperature: -20° to +60° C  
 Other: This target has micro-prism geometry.



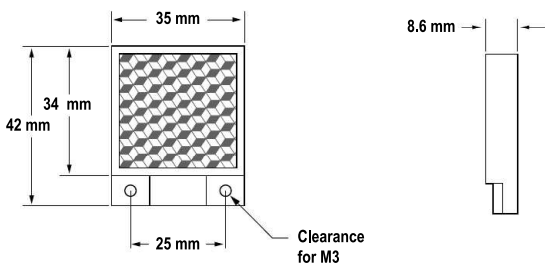
**BRT-11X11MD**

Description: Square, acrylic target with mounting stud  
 Reflectivity Factor: 1.2  
 Temperature: -20° to +60° C  
 Other: This target has micro-prism geometry.



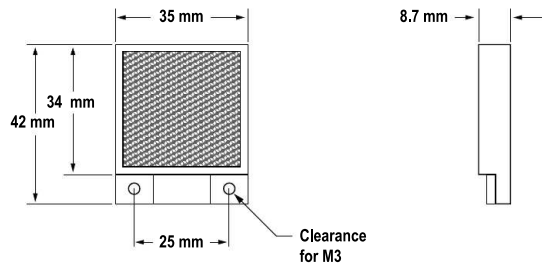
**BRT-35X35B**

Description: Square, acrylic target  
 Reflectivity Factor: 1.3  
 Temperature: -20° to +60° C



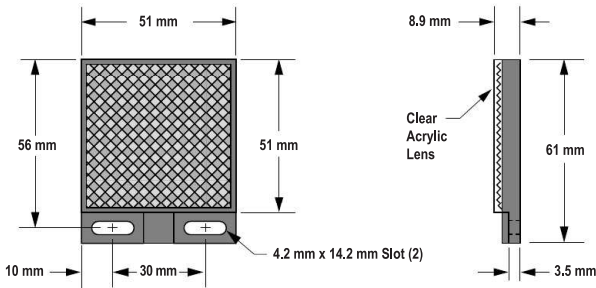
**BRT-35X35BM**

Description: Square, acrylic target  
 Reflectivity Factor: 1.2  
 Temperature: -20° to +60° C  
 Other: This target has micro-prism geometry.



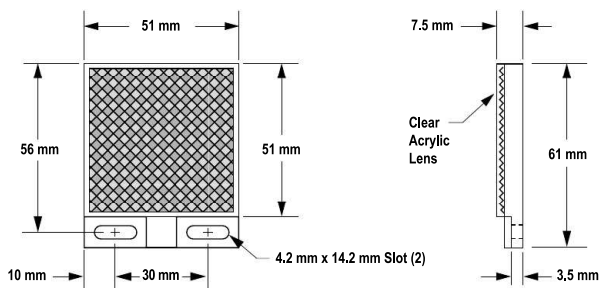
**BRT-2X2**

Description: Square, acrylic target  
 Reflectivity Factor: 1.0  
 Max. Temperature: 50° C  
 Others: Optional brackets are available.



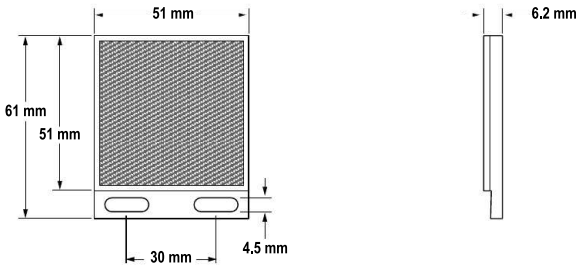
**BRT-2X2LVC**

Description: Square, acrylic target  
 Reflectivity Factor: 1.0  
 Max. Temperature: -20° to +60° C  
 Others: Optional brackets are available.



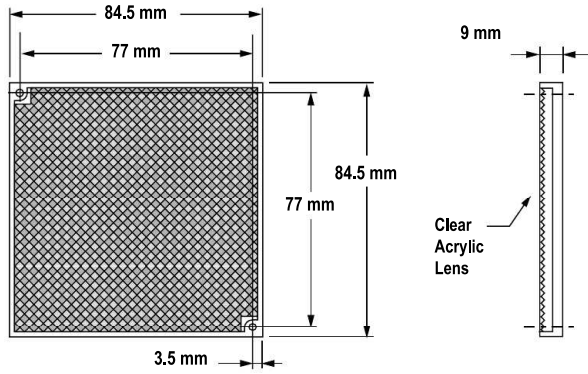
**BRT-51X51BM**

**Description:** Square, acrylic target  
**Reflectivity Factor:** 1.5    **Max. Temperature:** 50° C  
**Other:** This target has micro-prism geometry. Optional brackets are available on Replaces reflector BRT-36X40BM.



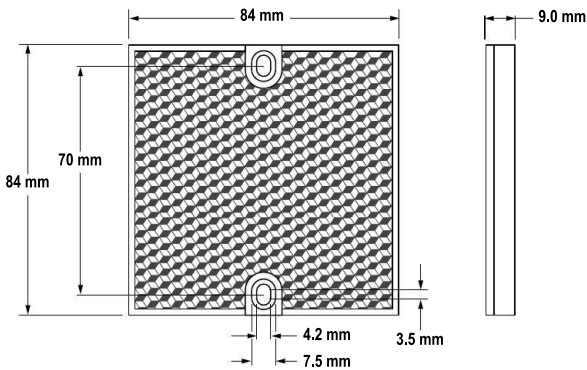
**BRT-77X77C**

**Description:** Square, acrylic target  
**Reflectivity Factor:** 2.0  
**Temperature:** -20° to +60° C  
**Other:** Optional brackets are available.



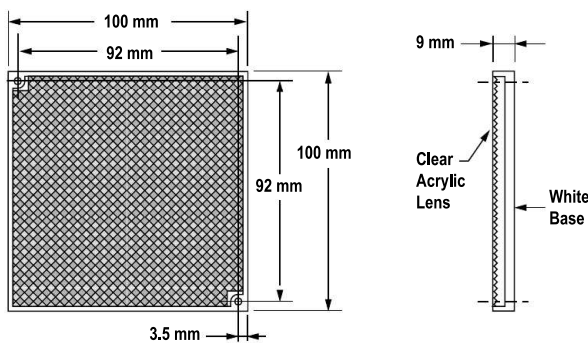
**BRT-84X84A**

**Description:** Square, acrylic target  
**Reflectivity Factor:** 2.0  
**Temperature:** -20° to +60° C



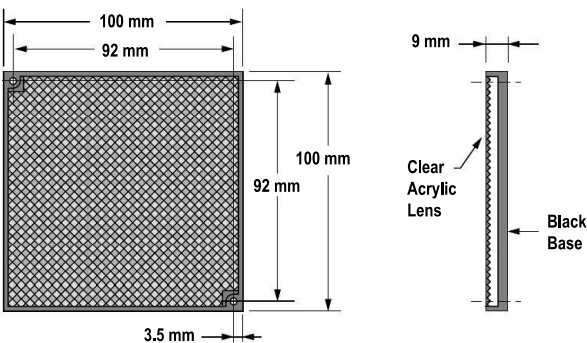
**BRT-92X92C**

**Description:** Square, acrylic target  
**Reflectivity Factor:** 3.0  
**Temperature:** -20° to +60° C  
**Other:** Optional brackets are available.



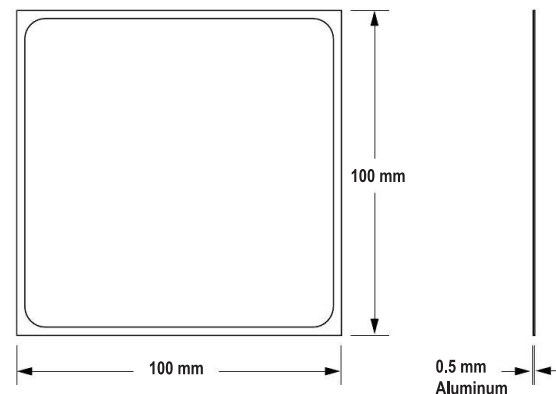
**BRT-92X92CB**

**Description:** Square, acrylic target with black mounting base  
**Reflectivity Factor:** 3.0  
**Max. Temperature:** 50° C  
**Other:** Optional brackets are available.



**BRT-4HT**

**Description:** Square, aluminum target  
**Reflectivity Factor:** 0.15  
**Max. Temperature:** 480° C  
**Other:** This target is not recommended for polarized retroreflective sensors.

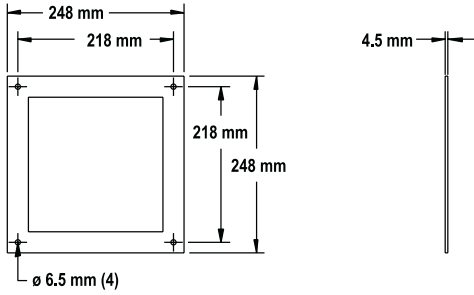


**BRT-250**

250 x 250 mm

Temperature: -20° to +50° C

Other: Square reflector with rigid aluminum backing for use with LT7

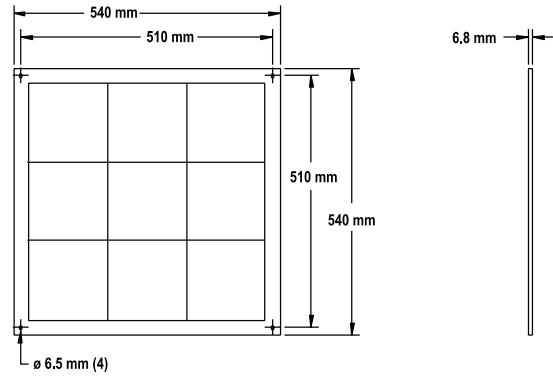


**BRT-540**

540 x 540 mm

Temperature: -20° to +50° C

Other: Square reflector with rigid aluminum backing for use with LT7

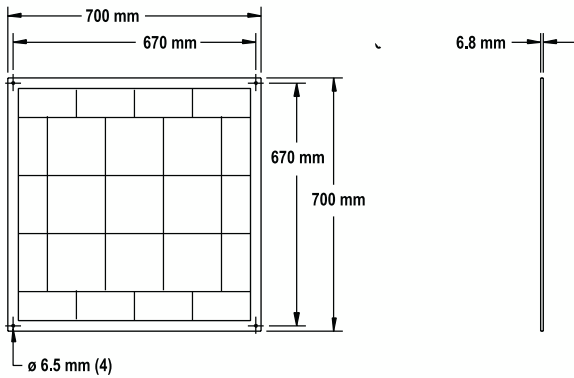


**BRT-700**

700 x 700 mm

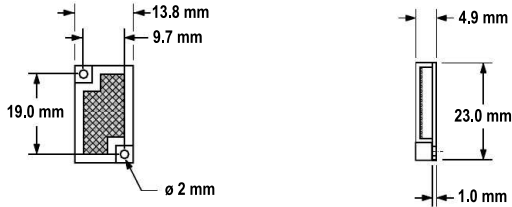
Temperature: -20° to +50° C

Other: Square reflector with rigid aluminum backing for use with LT7



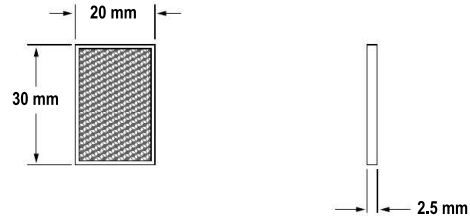
**BRT-23X14CM**

Description: Rectangular, acrylic target  
 Reflectivity Factor: 1.2  
 Temperature: -20° to +60° C  
 Other: This target has micro-prism geometry.



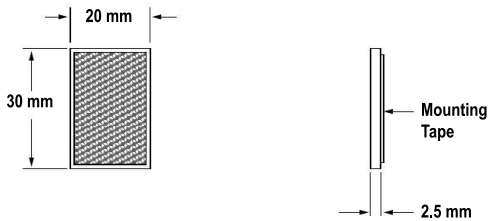
**BRT-30X20M**

Description: Rectangular, acrylic target  
 Reflectivity Factor: 1.2  
 Temperature: -20° to +60° C



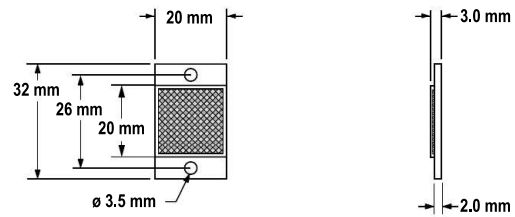
**BRT-30X20MT**

Description: Rectangular, acrylic target includes mounting tape  
 Reflectivity Factor: 1.2  
 Temperature: -20° to 60° C



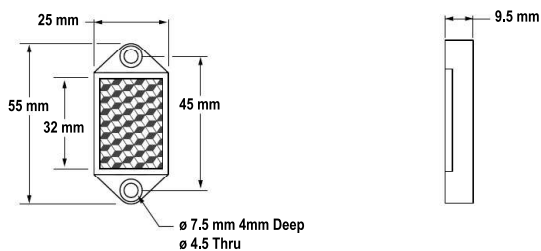
**BRT-32X20AM**

Description: Rectangular, thin profile acrylic target  
 Reflectivity Factor: 1.2  
 Temperature: -20° to +60° C  
 Other: This target has micro-prism geometry.



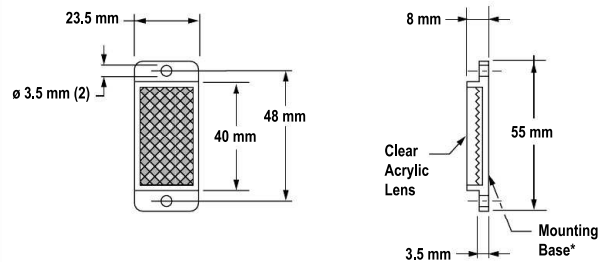
**BRT-32X22A**

Description: Rectangular, acrylic target  
 Reflectivity Factor: 1.3  
 Max. Temperature: 65° C



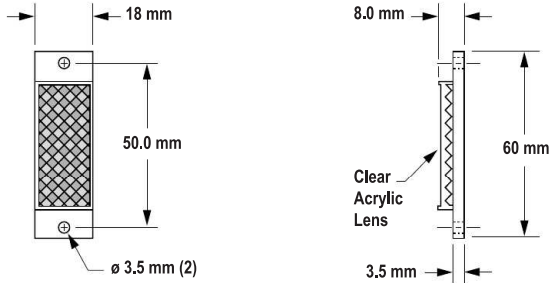
**BRT-35X20A  
 BRT-35X20AB**

Description: Rectangular, acrylic target\*  
 Reflectivity Factor: 1.4  
 Temperature: -20° to +60° C



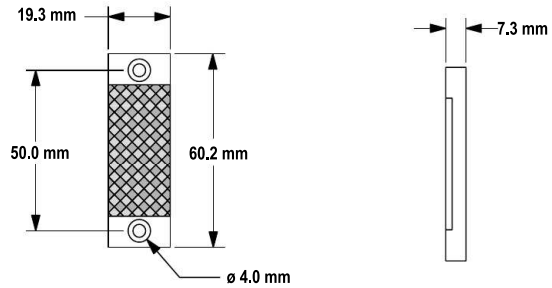
**BRT-40X18A**

Description: Rectangular, acrylic target  
 Reflectivity Factor: 1.0  
 Temperature: -20° to +60° C



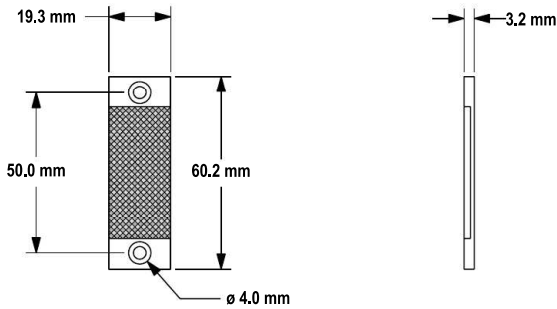
**BRT-40X19A**

Description: Rectangular, acrylic target  
 Reflectivity Factor: 1.3  
 Temperature: -20° to +60° C



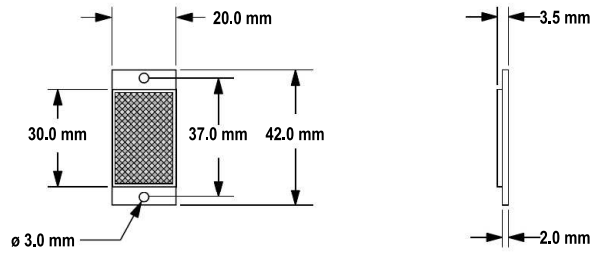
**BRT-40X19AM**

Description: Rectangular, thin profile acrylic target  
 Reflectivity Factor: 1.2  
 Temperature: -20° to +60° C  
 Other: This target has micro-prism geometry.



**BRT-40X20AM**

Description: Rectangular, thin profile acrylic target  
 Reflectivity Factor: 1.2  
 Temperature: -20° to +60° C  
 Other: This target has micro-prism geometry.



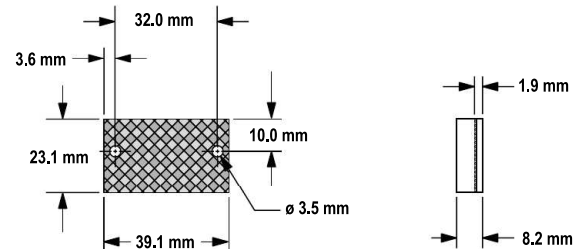
**BRT-40X23**

Description: Rectangular, acrylic target  
 Reflectivity Factor: 1.4  
 Temperature: -20° to +60° C



**BRT-40X23A**

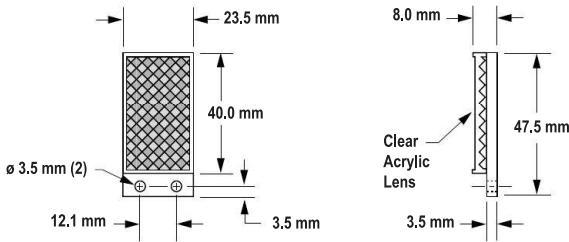
Description: Rectangular, acrylic target  
 Reflectivity Factor: 1.4  
 Max. Temperature: -20° to +60° C





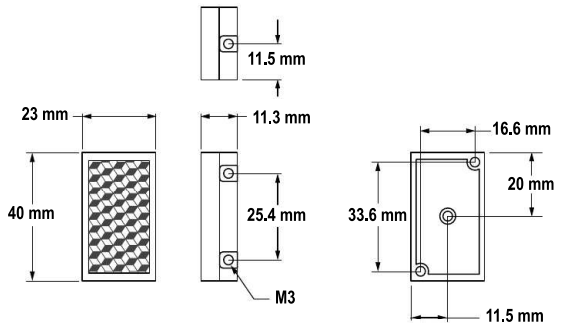
**BRT-40X23B**

Description: Rectangular, acrylic target  
 Reflectivity Factor: 1.4  
 Max. Temperature: -20° to +60° C



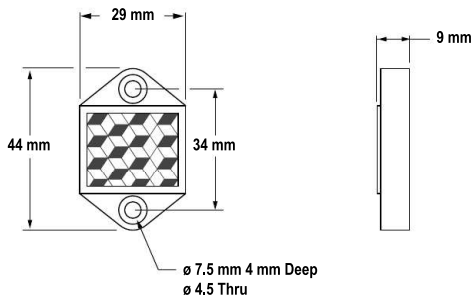
**BRT-40X23ABC**

Description: Rectangular, acrylic target  
 Reflectivity Factor: 1.4  
 Max. Temperature: 50° C



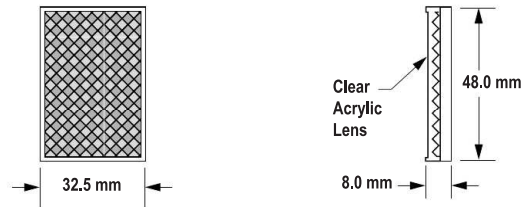
**BRT-44X29A6**

Description: Rectangular, acrylic target  
 Reflectivity Factor: 1.1  
 Max. Temperature: 50° C  
 Other: 6 mm facets; close to the face retroreflective sensing with bifurcated lens.



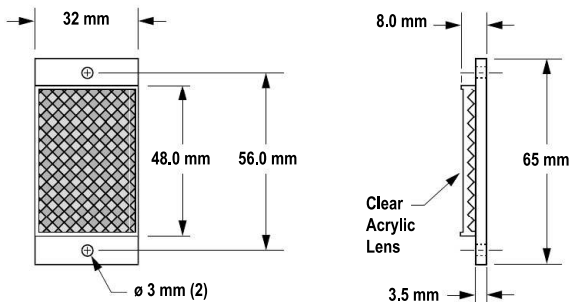
**BRT-48X32**

Description: Rectangular, acrylic target  
 Reflectivity Factor: 1.0  
 Temperature: -20° to +60° C



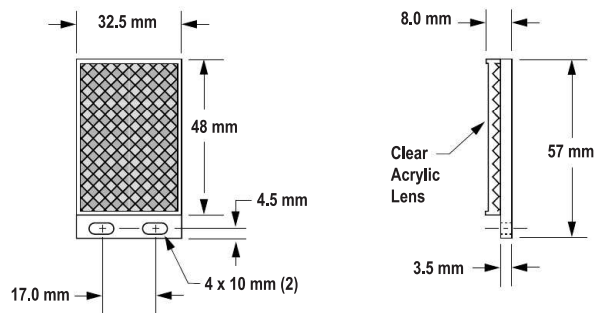
**BRT-48X32A**

Description: Rectangular, acrylic target  
 Reflectivity Factor: 1.0  
 Max. Temperature: -20° to +60° C



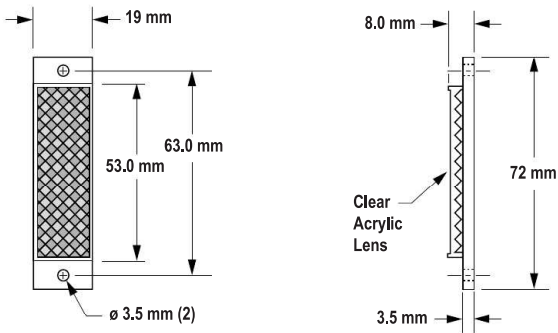
**BRT-48X32B**

Description: Rectangular, acrylic target  
 Reflectivity Factor: 1.0  
 Temperature: -20° to +60° C



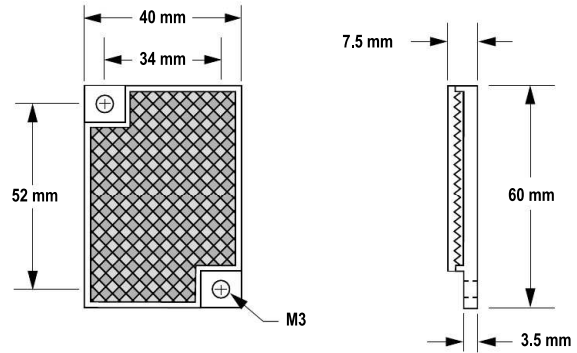
**BRT-53X19A**

Description: Rectangular, acrylic target  
 Reflectivity Factor: 1.4  
 Max. Temperature: -20° to +60° C



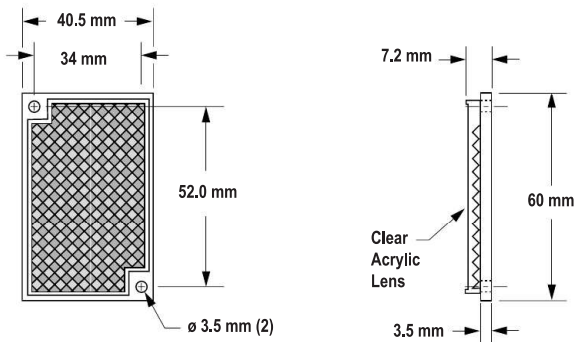
**BRT-60X40AF**

Description: Rectangular, acrylic target  
 Reflectivity Factor: 1.4 Max. Temperature: -20° to +60° C  
 Other: Anti-fogging coating for use around steam. Optional brackets are available.



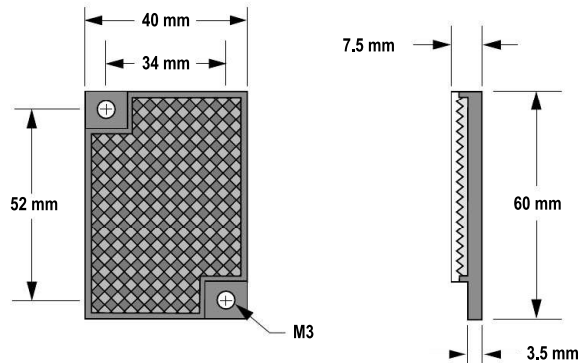
**BRT-60X40C**

Description: Rectangular, acrylic target  
 Reflectivity Factor: 1.4 Max. Temperature: -20° to +60° C  
 Other: Optional brackets are available.



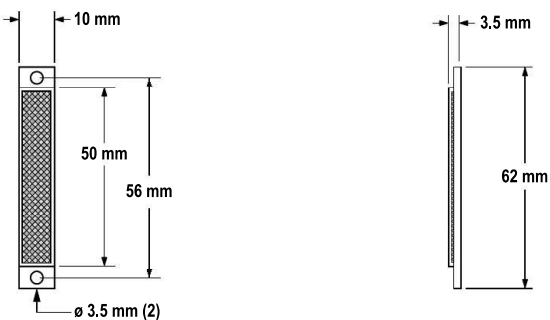
**BRT-60X40IP69K**

Description: Rectangular, acrylic target (color is amber)  
 Reflectivity Factor: 0.7 Max. Temperature: -20° to 60° C  
 Other: Chemically resistant and IP69K washdown rated. Optional brackets are available.



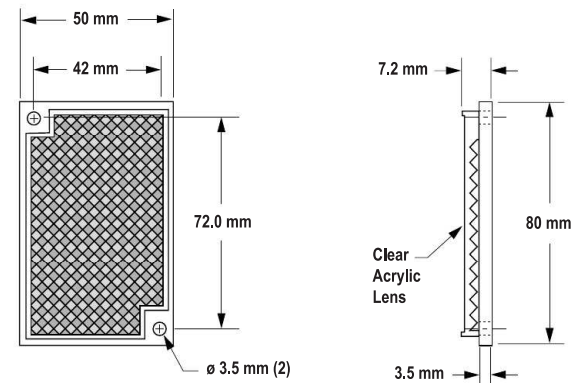
**BRT-62X10AM**

Description: Rectangular, thin profile acrylic target  
 Reflectivity Factor: 1.2  
 Max. Temperature: -20° to +60° C  
 Other: This target has micro-prism geometry.



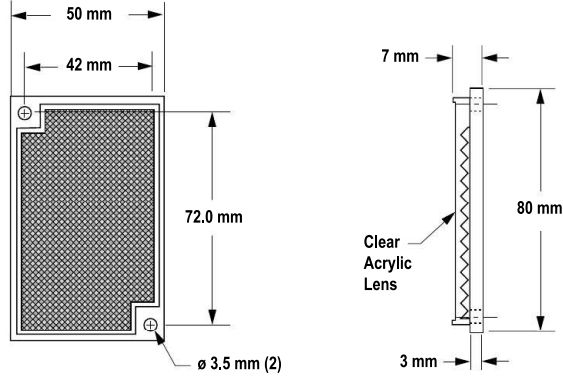
**BRT-80X50C**

Description: Rectangular, acrylic target  
 Reflectivity Factor: 1.4  
 Temperature: -20° to +60° C



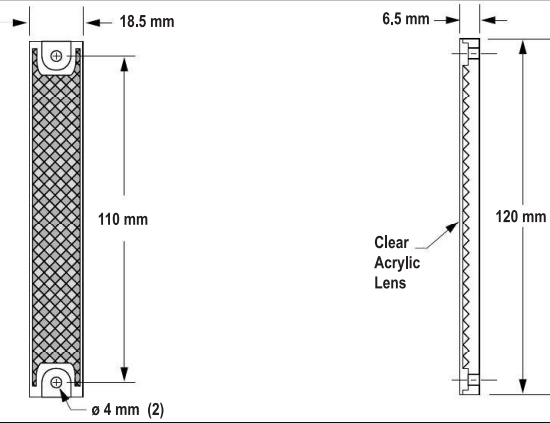
**BRT-80X50CM**

Description: Rectangular, acrylic target  
 Reflectivity Factor: 1.4  
 Temperature: -20° to +60° C  
 Other: This target has micro-prism geometry.



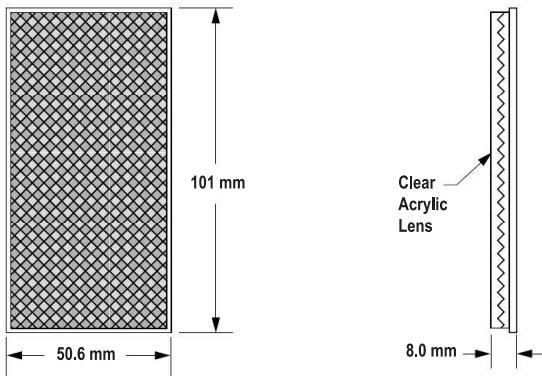
**BRT-100X18A**

Description: Rectangular, acrylic target  
 Reflectivity Factor: 1.4  
 Temperature: -20° to +60° C



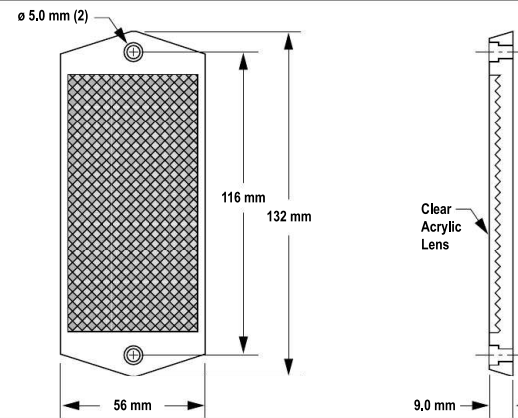
**BRT-100X50**

Description: Rectangular, acrylic target  
 Reflectivity Factor: 1.5  
 Temperature: -20° to +60° C



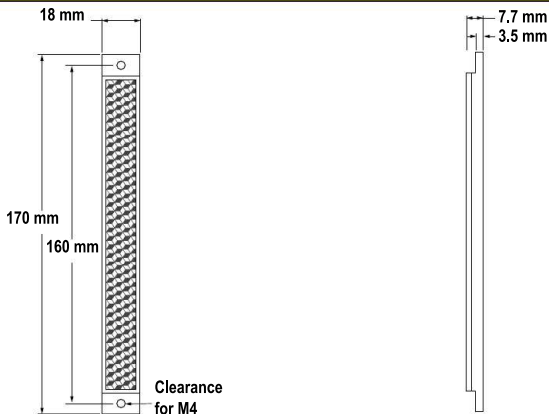
**BRT-100X55A**

Description: Rectangular, acrylic target  
 Reflectivity Factor: 1.5  
 Temperature: -20° to +60° C



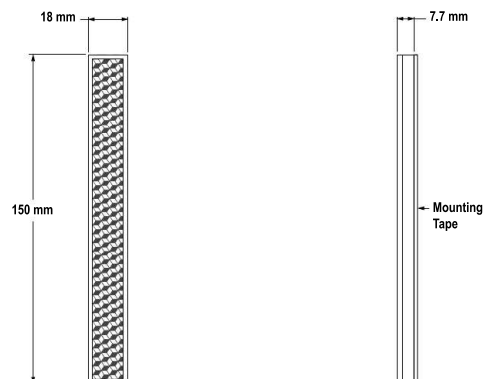
**BRT-150X18A**

Description: Rectangular, acrylic target  
 Reflectivity Factor: 1.4  
 Temperature: -20° to +60° C



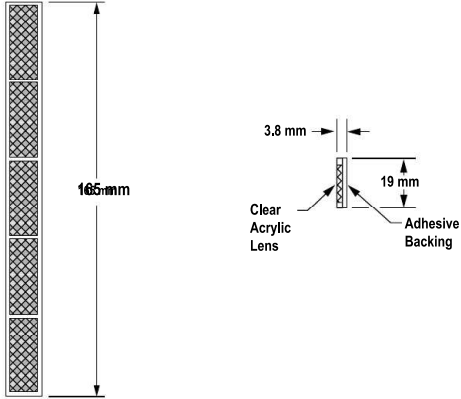
**BRT-150X18T**

Description: Rectangular, acrylic target includes mounting tape.  
 Reflectivity Factor: 1.4  
 Temperature: -20° to 60° C



### BRT-L

Description: Rectangular, acrylic target  
Reflectivity Factor: 0.8  
Max. Temperature: 65° C



### BRT-180X40A

Description: Rectangular, acrylic target  
Reflectivity Factor: 1.4  
Temperature: -20° to +60° C

