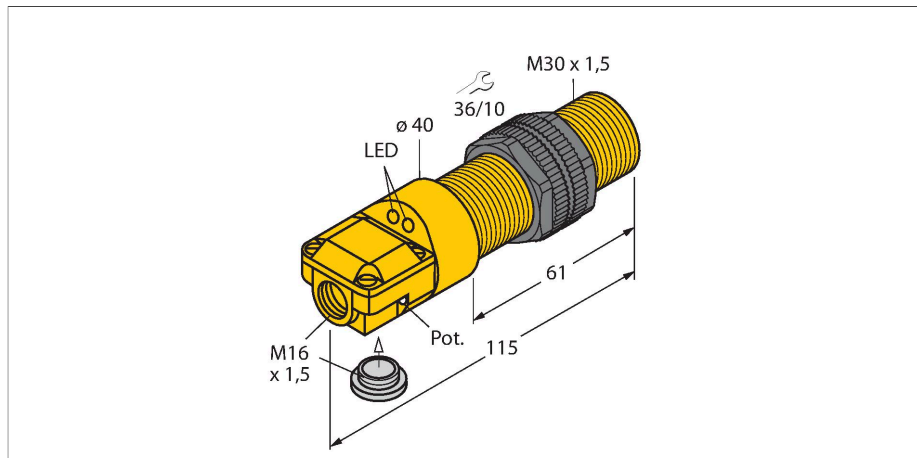


# BC10-P30SR-FZ3X2

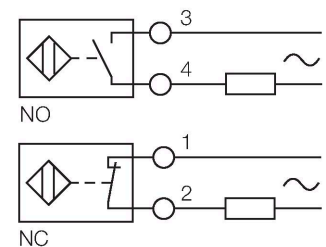
## Capacitive Sensor



### Features

- M30 × 1.5 threaded barrel
- Plastic, ABS
- Fine adjustment via potentiometer
- AC 2-wire, 20...250 VAC
- Programmable connection (NC/NO)
- Terminal chamber

### Wiring diagram



### Functional principle

Capacitive proximity switches are designed for non-contact and wear-free detection of electrically conductive as well as non-conductive metal objects.

### Technical data

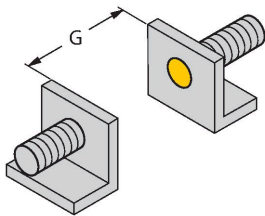
Type	BC10-P30SR-FZ3X2
ID	23104
Rated switching distance (flush)	10 mm
Rated switching distance (non-flush)	15 mm
Secured operating distance	$\leq (0.72 \times S_n)$
Hysteresis	2...20 %
Temperature drift	type 20 %
Repeat accuracy	$\leq 2$ % of full scale
Ambient temperature	-25...+70 °C
<b>Electrical data</b>	
Operating voltage	20...250 VAC
AC rated operational current	$\leq 500$ mA
Frequency	$\geq 50 \dots \leq 60$ Hz
Smallest operating current	$\geq 5$ mA
Residual current	$\leq 1.7$ mA
Switching frequency	0.02 kHz
Isolation test voltage	$\leq 1.5$ kV
Output function	2-wire, Connection programmable, 2-wire
Voltage drop at $I_o$	$\leq 7$ V
<b>Mechanical data</b>	
Design	Threaded barrel, M30 × 1.5
Dimensions	115 mm
Housing material	Plastic, ABS
Active area material	ABS, yellow
Admissible pressure on front cap	$\leq 3$ bar
Max. tightening torque of housing nut	5 Nm

## Technical data

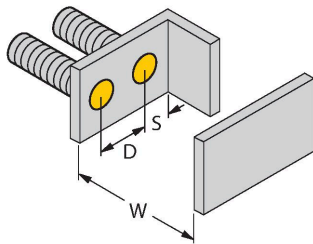
Electrical connection	Terminal chamber
Vibration resistance	55 Hz (1 mm)
Shock resistance	30 g (11 ms)
Protection class	IP67
MTTF	1080 years acc. to SN 29500 (Ed. 99) 40 °C
Switching state	2 × LEDs, Yellow

## Mounting instructions

### Product features



Distance D	60 mm
Distance W	30 mm
Distance S	45 mm
Distance G	60 mm
Diameter active area B	Ø 30 mm

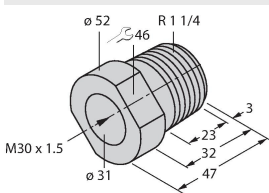


The given minimum distances have been checked against the standard switching distance. Should the sensitivity of the sensors be changed via potentiometer, the data sheet specifications no longer apply.

## Accessories

### MAP-M30

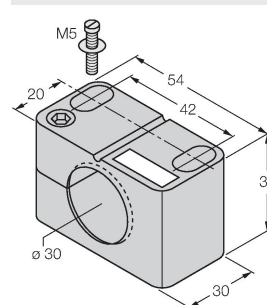
6950013



Mounting adapter; material: Polypropylene; sensor replacement with filled container possible (adapter remains in container during sensor replacement)

### BST-30B

6947216



Mounting clamp for threaded barrel sensors, with dead-stop; material: PA6