

8-Pin Threaded M12/Euro-Style with Shield

| Specifications | Style | Dimensions (mm) | Length | Cable Diameter | Model | Pinout |
|---|------------------------------|-----------------|--------|----------------|------------|---|
| Cable: PVC jacket, PUR (polyurethane) connector body Coupling Nut: Nickel-plated brass (High Flex)/DB15 Conductors: 24 AWG (shielded), gold-plated contacts Voltage/Current Rating: 75 V ac/dc, 2.0 A Temperature: -40 to +105 °C Environmental Rating: IP67 | Straight (High Flex)/DB15 | | 1.83 m | 7.60 mm | PPC06SHF | Female |
| | | | 3.96 m | | PPC13SHF | |
| | | | 7.01 m | | PPC23SHF | |
| | | | 9.75 m | | PPC32SHF | |
| | Right-Angle (High Flex)/DB15 | | 1.83 m | 7.60 mm | PPC06SRAHF | 1 = Blue 7 = Not Used 2 = Violet 8 = Pink 3 = Green 9 = Gray 4 = Red 10 = Brown 5 = White 11 = Yellow 6 = Black 12 = Drain Male |
| | | | 3.96 m | | PPC13SRAHF | |
| | | | 7.01 m | | PPC23SRAHF | |
| | | | 9.75 m | | PPC32SRAHF | |

Used with: Pro, Mini Pro, Sealed Pro

8-Pin Threaded M12/Euro-Style QD to RD

| Specifications | Style | Dimensions (mm) | Length | Cable Diameter | Model | Pinout |
|---|-------------------|-----------------|--------|----------------|-------------|---|
| Cable: Euro: PVC jacket, PUR (polyurethane) connector body RD: Nylon (polyamide)/PUR (polyurethane) RD connector Coupling Nut: Nickel-plated brass Conductors: 22 AWG, gold-plated contacts Voltage/Current Rating: 60 V ac/75 V dc, 2.0 A Temperature: 0 to +55 °C Environmental Rating: IP67 | RD/ Male Straight | | 0.31 m | 6.00 mm | DELPE-81D | RD Male 1 = Brown 5 = Black 2 = Or/Bk 6 = Blue 3 = Orange 7 = Gn/Ye 4 = White 8 = Violet |
| | | | 0.91 m | | DELPE-83D | |
| | | | 2.44 m | | DELPE-88D | |
| | | | 4.57 m | | DELPE-815D | |
| | | | 7.62 m | | DELPE-825D | |
| | | | 15.2 m | | DELPE-850D | |
| | | | 22.9 m | | DELPE-875D | |
| | | | 30.5 m | | DELPE-8100D | |

Used with: EZ-SCREEN LP w/RD (14 & 25 mm Resolution)

NOTE: Requires QDE-8...D, DEE2R-8..D, CSB-M128... or other M12/Euro QD cordset

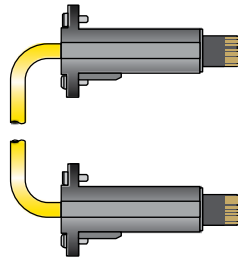

8-Pin Threaded M12/Euro-Style QD to RD

| Specifications | Style | Dimensions (mm) | Length | Cable Diameter | Model | Pinout |
|---|---------------------|-----------------|--------|----------------|-------------|---|
| Cable: Euro: PVC jacket, PVC connector body, RD: Nylon (polyamide)/PUR (polyurethane) RD connector Coupling Nut: Nickel-plated brass Conductors: 22 AWG, gold-plated contacts Voltage/Current Rating: 60 V ac/75 V dc, 2.0 A Temperature: 0 to +55 °C Environmental Rating: IP67 | RD/ Female Straight | | 0.31 m | 6.00 mm | DELPEF-81D | RD Female 1 = Brown 5 = Black 2 = Or/Bk 6 = Blue 3 = Orange 7 = Gn/Ye 4 = White 8 = Violet |
| | | | 0.91 m | | DELPEF-83D | |
| | | | 2.44 m | | DELPEF-88D | |
| | | | 4.57 m | | DELPEF-815D | |

Used with: EZ-SCREEN LP (Cascade) w/RD (14 & 25 mm); requires QDE2R4-8...D cordset or connection of E-Stop or other hard/relay contact; for connection to DEE2R-8..D or to EZ-SCREEN LP w/8-pin QD

MISCELLANEOUS

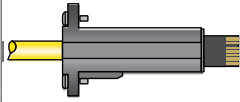

RD to RD

| Specifications | Style | Dimensions (mm) | Length | Cable Diameter | Model | Pinout |
|---|-------|---|--------|----------------|--------------|---|
| Cable: PVC jacket, nylon (polyamide)/PUR (polyurethane) RD connector Conductors: 22 AWG, gold-plated contacts Voltage/Current Rating: 60 V ac/75 V dc, 2.0 A Temperature: 0 to +55 °C Environmental Rating: IP67 | RD/RD |  | 0.05 m | 6.00 mm | DEL P-110E | RD  |
| | | | 0.30 m | | DEL P-111E | |
| | | | 0.91 m | | DEL P-113E | |
| | | | 2.44 m | | DEL P-118E | |
| | | | 4.57 m | | DEL P-1115E | |
| | | | 7.62 m | | DEL P-1125E | |
| | | | 15.2 m | | DEL P-1150E | |
| | | | 22.9 m | | DEL P-1175E | |
| | | | 30.5 m | | DEL P-11100E | |

Used with: EZ-SCREEN LP w/RD Cascading (14 & 25 mm Resolution)

* Standard cordsets are yellow PVC with black overmold. For black PVC cable and overmold, add suffix **B** to model number (example, **DEL P-110EB**).

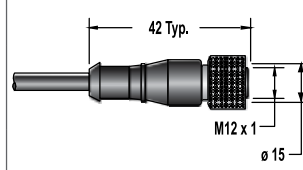
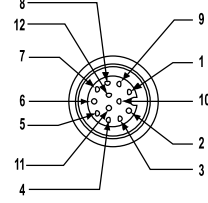
RD to Flying Lead

| Specifications | Style | Dimensions (mm) | Length | Cable Diameter | Model | Pinout | |
|---|-------|---|--------|----------------|------------|---|-------------|
| Cable: PVC jacket, nylon (polyamide)/PUR (polyurethane) RD connector Conductors: 22 AWG, gold-plated contacts Voltage/Current Rating: 60 V ac/75 V dc, 2.0 A Temperature: 0 to +55 °C Environmental Rating: IP67 | RD |  | 4.57 m | 6.00 mm | 8-Wire | RD  | |
| | | | 7.62 m | | RDLP-815D | | RDLP6G-415D |
| | | | 15.2 m | | RDLP-825D | | RDLP6G-425D |
| | | | 22.9 m | | RDLP-850D | | RDLP6G-450D |
| | | | 30.5 m | | RDLP-875D | | — |
| | | | | | RDLP-8100D | | — |

Used with: EZ-SCREEN LP w/RD (14 & 25 mm Resolution)

† For connection of E-Stop or other hard/relay contacts. See EZ-SCREEN installation manual p/n 140044 for more information.

12-Pin M12/Euro-Style with Open Shield

| Specifications | Style | Dimensions (mm) | Length | Cable Diameter | Model | Pinout |
|--|----------|---|--------|----------------|-------------|---|
| Cable: PVC jacket, PUR (polyurethane) connector body Coupling Nut: Nickel-plated brass Conductors: 20 and 24 AWG, gold-plated contacts Voltage Rating: 250 V ac/300 V dc Temperature: -40 to +105 °C Environmental Rating: IP67 | Straight |  | 1.83 m | 7.50 mm | MQDC2S-1206 | Female  |
| | | | 4.57 m | | MQDC2S-1215 | |
| | | | 9.14 m | | MQDC2S-1230 | |
| | | | 15.2 m | | MQDC2S-1250 | |
| | | | 22.9 m | | MQDC2S-1275 | |
| | | | | | | |

Used with: IP68 Sealed P4, iVu BCR—Integrated Touch Screen models, iVu Plus (For CE compliance)