

Complete units: Push-buttons \varnothing 22

IP 66 - IP 69K
 Complete units consisting of:
 - head
 - clip and screw electrical blocks assembled
 Plastic chrome bezel - Black bezel on request (form p. 83)
 Conform to IEC 60947-5-1



Characteristics (p. 98)

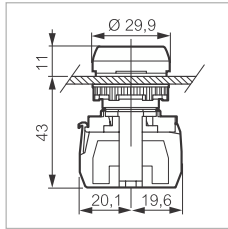
► SPRING RETURN - NON ILLUMINATED

FLUSH

Cat. No.

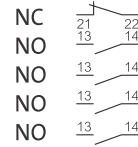


L21AA02A



Without engraving

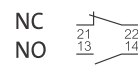
- Red
- Green
- Black
- Yellow
- Blue



- L21AA01B**
- L21AA02A**
- L21AA03A**
- L21AA04C**
- L21AA06A**

With engraving

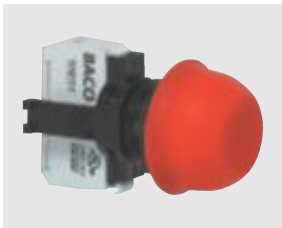
- Red
- Green



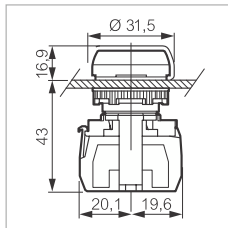
- L21AA81B**
- L21AA82B**

FLUSH

Reinforced degree of protection: IP 67

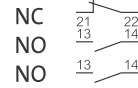


L22AF01A



Supplied with opaque shroud

- Red
- Green
- Black

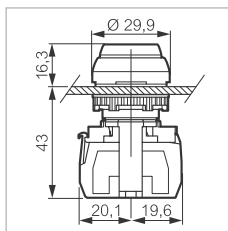


- L22AF01A**
- L22AF02A**
- L22AF03A**

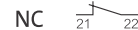
PROJECTING



L21AB01A



- Red



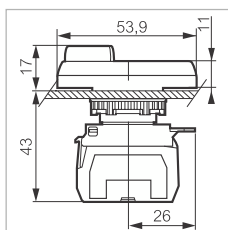
- L21AB01A**

FLUSH-PROJECTING

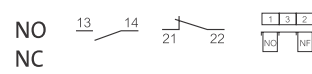
Double touch - degree of protection: IP 66



L61QB21A



- Green - Flush
- Red - Projecting



- L61QB21A**

Complete units: Selector switches $\varnothing 22$

IP 66 - IP 69K
 Complete units consisting of:
 - head
 - clip and screw electrical blocks assembled
 Plastic chrome bezel - Black bezel on request (form p. 83)
 Conform to IEC 60947-5-1

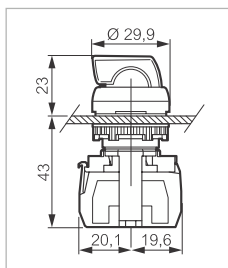
 Characteristics (p. 98)

▶ SELECTOR SWITCHES - NON ILLUMINATED

WITH HANDLE

2 positions

Cat. No.



Stay-put positions - 90°

● Black



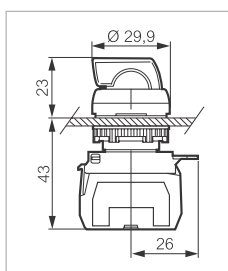
L21KE03B

L21KE03B

WITH HANDLE

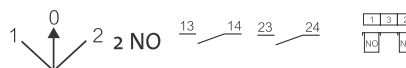
3 positions

Cat. No.



Stay-put positions - 45°

● Black

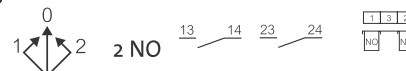


L21MA03A

L21MA03A

Spring return to 0 - 45°

● Black

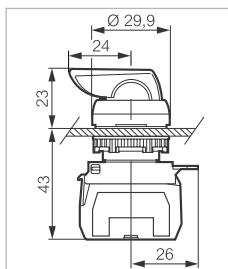


L21MD03A

WITH LONG HANDLE

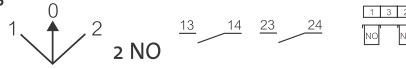
3 positions

Cat. No.



Stay-put positions - 45°

● Black

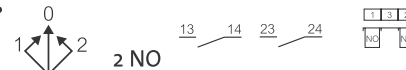


L21MR03A

L21MR03A

Spring return to 0 - 45°

● Black

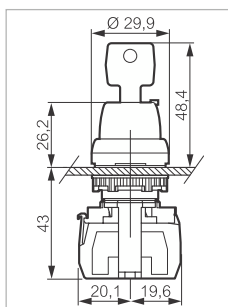


L21MU03B

WITH KEY

2 positions

Cat. No.



Supplied with 2 keys profile n°455

Stay-put positions - 45°

Key free
in position 0



L21LA00G

L21LA00G

Complete units: Mushroom heads \varnothing 22

IP 66 - IP 69K
 Complete units consisting of:
 - head
 - clip and screw electrical blocks assembled
 Conform to IEC 60947-5-1



Characteristics (p. 98)

► MUSHROOM HEADS - NON ILLUMINATED

\varnothing 40 - SPRING RETURN

Push

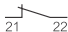
Cat. No.



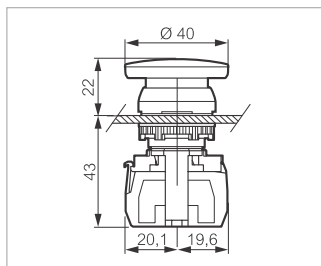
L21AD01C

Plastic chrome bezel
 Black bezel on request (form p. 83)

● Red

NC 

L21AD01C



\varnothing 40 - STAY-PUT

Push-turn to reset

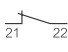
Cat. No.



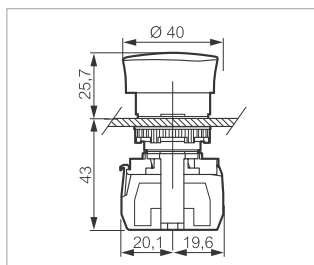
L22ED01D

Black bezel

● Red

NC 

L22ED01D



Complete units: Mushroom heads \varnothing 22

IP 66 - IP 69K
 Complete units consisting of:
 - head
 - clip and screw electrical blocks assembled
 Plastic black bezel
 Conform to IEC 60947-5-1

 Characteristics (p. 98)

► MUSHROOM HEADS - NON ILLUMINATED (CONTINUED)

\varnothing 40 - STAY-PUT

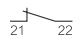
Push-pull to reset

Cat. No.

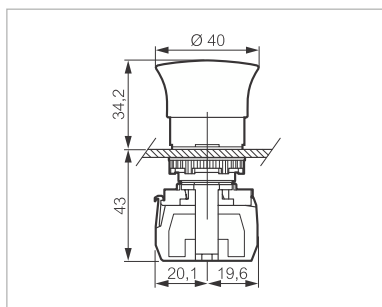


L22DD01A

● Red

NC 

L22DD01A



\varnothing 40 - STAY-PUT

Key to reset

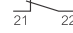
Cat. No.



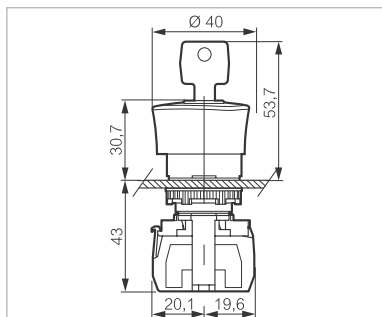
L22GM01E

Supplied with 2 keys profile n°455

● Red

NC 

L22GM01E



Complete units: Mushroom heads \varnothing 22

IP 66 - IP 69K
 Complete units consisting of:
 - head
 - clip and screw electrical blocks assembled
 Plastic black bezel
 Conform to IEC 60947-5-1



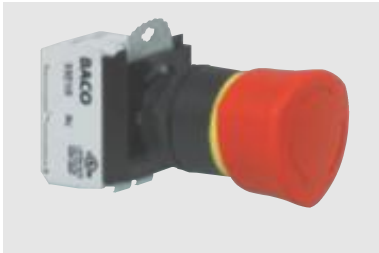
Characteristics (p. 98)

► ISO 13850 EMERGENCY STOP - NON ILLUMINATED

\varnothing 40 ISO 13850 - STAY-PUT

Push-turn to reset

Cat. No.



L22ER01D

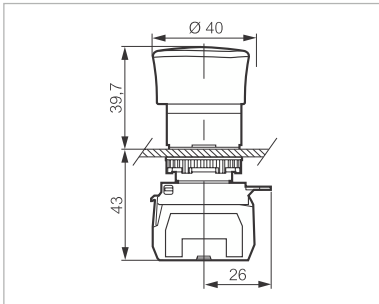
Head position visible from the side with yellow collar
 Compliant with the requirements of emergency stop:
 IEC 60947-5-5 / ISO 13850

● Red

NO + NC $\frac{13}{21}$ $\frac{14}{22}$



L22ER01D



\varnothing 40 ISO 13850 - STAY-PUT

Push-pull to reset

Cat. No.



L22DR01B

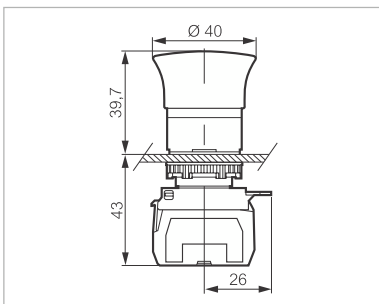
Head position visible from the side with yellow collar
 Compliant with the requirements of emergency stop:
 IEC 60947-5-5 / ISO 13850

● Red

NO + NC $\frac{13}{21}$ $\frac{14}{22}$



L22DR01B



Complete units: Mushroom heads \varnothing 22

IP 66 - IP 69K
 Complete units consisting of:
 - head
 - clip and screw electrical blocks assembled
 Plastic black bezel
 Conform to IEC 60947-5-1



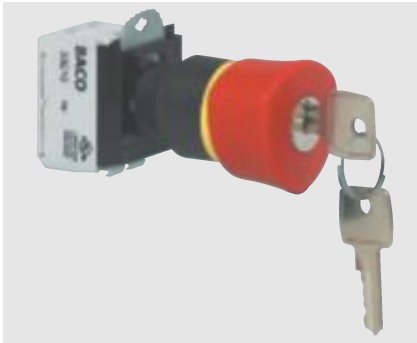
Characteristics (p. 98)

► ISO 13850 EMERGENCY STOP - NON ILLUMINATED

Ø 40 ISO 13850 - STAY-PUT

Key to reset

Cat. No.

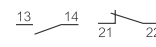


L22GR01B

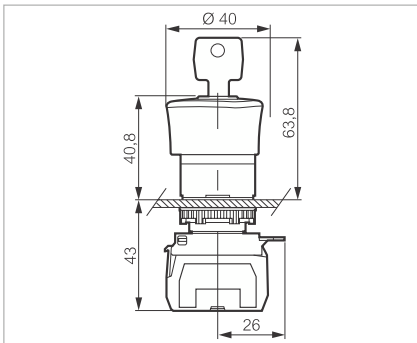
Double position indicator: head and collar
 Compliant with the requirements of emergency stop:
 IEC 60947-5-5 / ISO 13850
 Supplied with 2 keys profile n°455

● Red

NO + NC



L22GR01B



Ø 54 ISO 13850 - STAY-PUT

Push-pull to reset with flag indicator

Cat. No.



L22DU01G

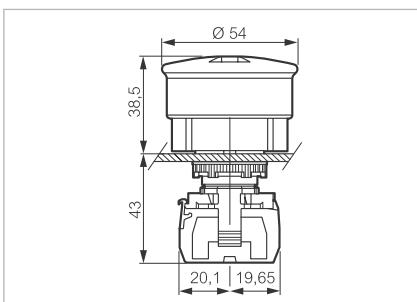
Double position indicator: head and collar
 Compliant with the requirements of emergency stop:
 IEC 60947-5-5 / ISO 13850
 Flag indicator: Engraving STOP and I

● Red

NC



L22DU01G



Complete units: Pushbuttons Ø 22

IP 66 - IP 69K
 Complete units consisting of:
 - head
 - clip and screw electrical blocks assembled
 Plastic chrome bezel - Black bezel on request (form p. 83)
 Conform to IEC 60947-5-1



Characteristics (p. 98)

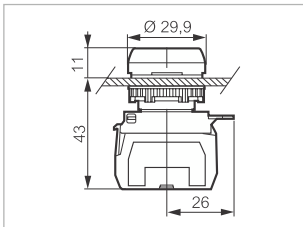
► SPRING RETURN - ILLUMINATED

FLUSH

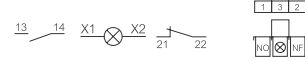
Cat. No.



L21AH20L



LED blocks



24V

- Red
- Green
- Yellow
- White
- Blue

NO+NC
 NO+NC
 NO+NC
 NO+NC
 NO+NC

L21AH10L
L21AH20L
L21AH40L
L21AH50L
L21AH60L

130 V

- Red
- Green

NO+NC
 NO+NC

L21AH10M
L21AH20M

230 V

- Red
- Green

NO+NC
 NO+NC

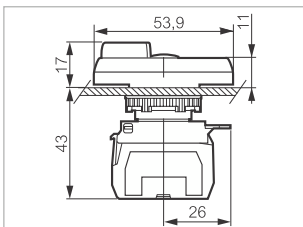
L21AH10H
L21AH20H

TWIN TOUCH - FLUSH-PROJECTING

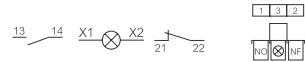
Degree of protection: IP 66



L61QK21H



LED blocks
 Central part illuminated



24 V

- Green
- Red

NO
 NC

L61QK21L

130 V

- Green
- Red

NO
 NC

L61QK21M

230 V

- Green
- Red

NO
 NC

L61QK21H

Complete units: Selector switches \varnothing 22

IP 66 - IP 69K
 Complete units consisting of:
 - head
 - clip and screw electrical blocks assembled
 Plastic chrome bezel - Black bezel on request (form p. 83)
 Conform to IEC 60947-5-1



Characteristics (p. 98)

▶ SELECTOR SWITCHES - ILLUMINATED

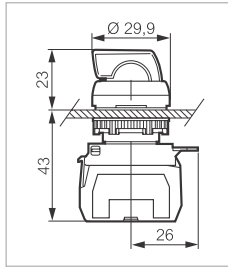
WITH HANDLE

2 positions

Cat. No.



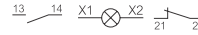
L21KG10C



LED blocks

Stay-put positions - 45°
 24 V

- Red
- Green
- Black



- NO + NC
- NO + NC
- NO + NC



- L21KG10C**
- L21KG20E**
- L21KG30B**

Complete units: Pilot lights \varnothing 22

IP 66 - IP 69K
 Complete units consisting of:
 - head
 - clip and screw electrical blocks assembled
 Conform to IEC 60947-5-1



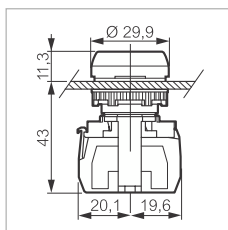
Characteristics (p. 98)

▶ PILOT LIGHTS

Cat. No.



L20SE20L



LED blocks



24 V

- Red
- Green
- Yellow
- White
- Blue

L20SE10L
L20SE20L
L20SE40L
L20SE50L
L20SE60L

130 V

- Red
- Green
- Yellow
- White
- Blue

L20SE10M
L20SE20M
L20SE40M
L20SE50M
L20SE60M

230V

- Red
- Green
- Yellow
- White
- Blue

L20SE10H
L20SE20H
L20SE40H
L20SE50H
L20SE60H

One-piece pilot lights (p. 49-50)