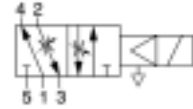


General information

Lucifer ref.: E341L01 Note 1
 Global ref.: 7341LDC1LNM8
 Housing ref.: 2995
 Coil ref.: 482730
 Protection class: -
 Assembly wt. (g): 430

Body: Delrin body
 Seat disc: NBR
 Ways notation: 5/2
 Valve function: 4-way
 Valve actuation: Pilot operated
 Mounting: Sub-base mounting CETOP 1/8



Specifications

Connection / Orifice

Port size (inches): CETOP
 Nom. dia. (mm): 6
 Orifice EXH. (mm): -

Flow factors

Qn (L/min): 800
 Qn EXH. (L/min): -
 C (dm³/s bar): 2.9
 Kv (L/min): -
 Kv EXH. (L/min): -
 Qmax (L/min): -

Temperature values (°C)

a. Fluid temperatures

	Min.	Max.
With air:	-10	75
With water:	-	-
With steam:	-	-
With oil:	-	-

Pressure values (Bar)

Min. pressure: 1.00
 Max. press. (DC): 10.00
 Max. press. (AC): 10.00

Power values (W)

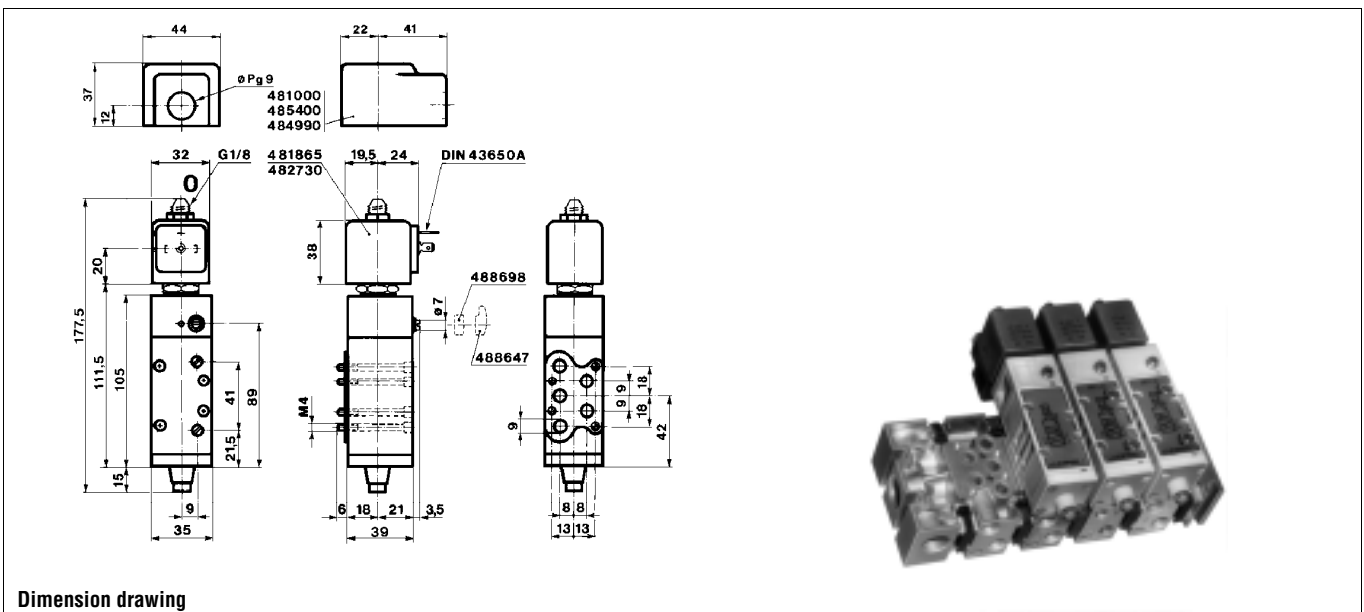
Power DC: 7
 Power AC: 6

b. Ambient temperatures

Minimum: -10
 Maximum: 50

Notes

- Manual override and flow regulating screws standard



Dimension drawing