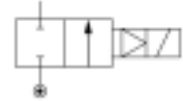


### General information

Lucifer ref.: E321H25 Note 1  
 Global ref.: 7321HBG4UV00  
 Housing ref.: 2995  
 Coil ref.: 481865  
 Protection class: -  
 Assembly wt. (g): 740

Body: Brass body  
 Seat disc: FKM  
 Ways notation: 2/2  
 Valve function: Normally closed  
 Valve actuation: Pilot operated  
 Mounting: Pipe mounting



### Specifications

#### Connection / Orifice

Port size (inches): 1/2  
 Nom. dia. (mm): 14.5  
 Orifice EXH. (mm): -

#### Flow factors

Qn (L/min): -  
 Qn EXH. (L/min): -  
 C (dm<sup>3</sup>/s bar): -  
 Kv (L/min): 60  
 Kv EXH. (L/min): -  
 Qmax (L/min): 60

#### Temperature values (°C)

##### a. Fluid temperatures

	Min.	Max.
With air:	-	-
With water:	0	100
With steam:	-	-
With oil:	-10	100

#### Pressure values (Bar)

Min. pressure: 0.30 Note 2  
 Max. press. (DC): 25.00  
 Max. press. (AC): 40.00

#### Power values (W)

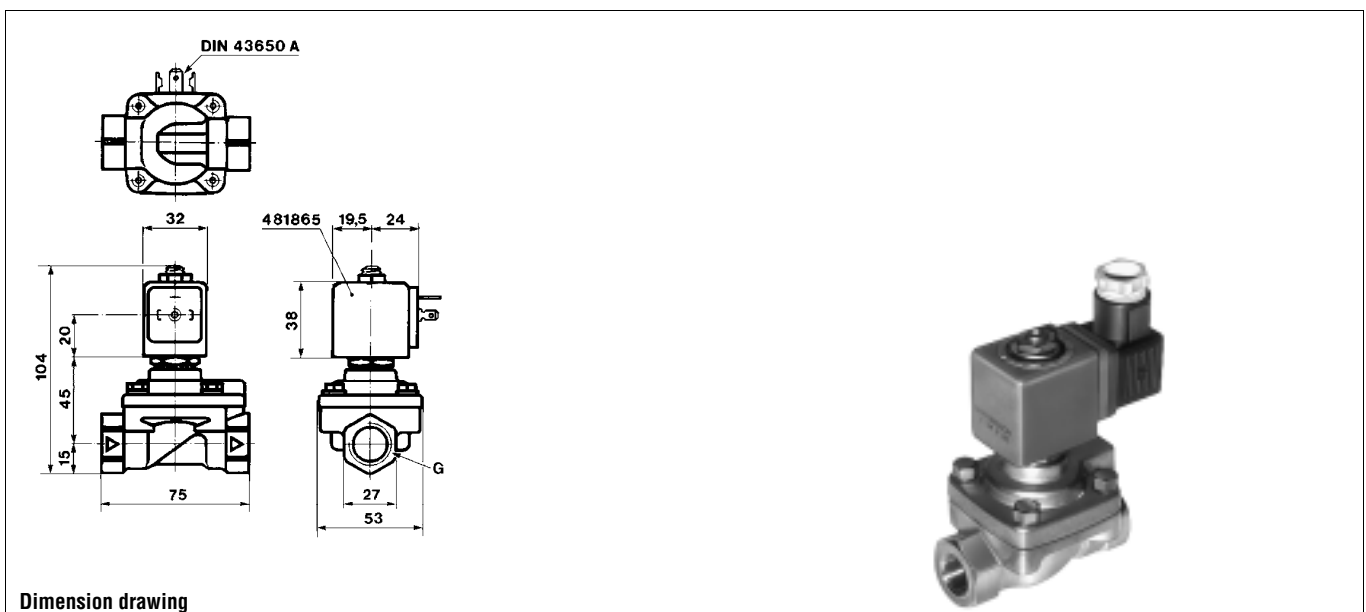
Power DC: 9  
 Power AC: 8

##### b. Ambient temperatures

Minimum: -10  
 Maximum: 50

### Notes

- 1 Pilot seat discs from ruby (synthetic)
- 2 Minimum pressure differential = 0.3 bar for opening and 0 bar for closing



Dimension drawing