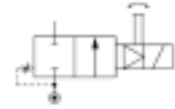


General information

Lucifer ref.: E321G3910 Note 1
 Global ref.: 7321GBG88NMC
 Housing ref.: 2995
 Coil ref.: 481865
 Protection class: -
 Assembly wt. (g): 2560

Body: Brass body
 Seat disc: NBR
 Ways notation: 2/2
 Valve function: Normally closed
 Valve actuation: Pilot operated
 Mounting: Pipe mounting



Specifications

Connection / Orifice

Port size (inches): 1 1/2
 Nom. dia. (mm): 40
 Orifice EXH. (mm): -

Flow factors

Qn (L/min): 31500
 Qn EXH. (L/min): -
 C (dm³/s bar): 110
 Kv (L/min): 420
 Kv EXH. (L/min): -
 Qmax (L/min): 420

Temperature values (°C)

a. Fluid temperatures

	Min.	Max.
With air:	-10	100
With water:	0	75
With steam:	-	-
With oil:	-10	100

Pressure values (Bar)

Min. pressure: 0.30
 Max. press. (DC): 10.00
 Max. press. (AC): 16.00

Power values (W)

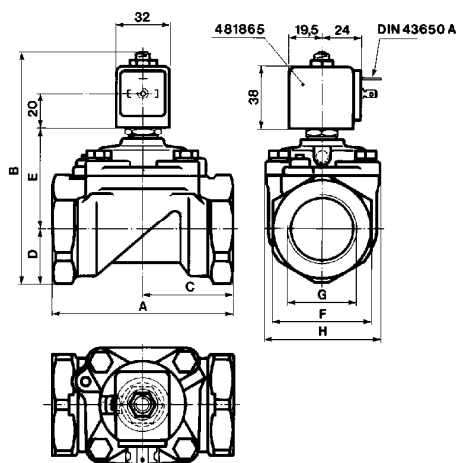
Power DC: 9
 Power AC: 8

b. Ambient temperatures

Minimum: -10
 Maximum: 50

Notes

- 1 Manual override and 4 position selector for controlled closure rate standard - without manual override and 4 position selector on request: same type without suffix 10, e.g. : E321G36



	A	B	C	D	E	F	G	H
	mm	mm	mm	mm	mm	mm	inch	mm
G37	100	121	50	23	54	41	1	70
G36	100	121	50	23	54	41	3/4	70
G38	110	137.5	55	33	60.5	60	1 1/4	99
G39	140	144	75	33	67	60	1 1/2	99
G40	150	158.5	80	41.5	73	75	2	99



Dimension drawing