

General information

Lucifer ref.: 131M14
 Global ref.: -
 Housing ref.: 8993
 Coil ref.: 488980
 Protection class: -
 Assembly wt. (g): 150

Body: Brass body
 Seat disc: FKM
 Ways notation: 3/2
 Valve function: Normally closed
 Valve actuation: Direct operated
 Mounting: Pipe mounting



E, K, V Series

T, M Series

Specifications

Connection / Orifice

Port size (inches): 1/8
 Nom. dia. (mm): 1.5
 Orifice EXH. (mm): -

Flow factors

Qn (L/min): 70
 Qn EXH. (L/min): -
 C (dm³/s bar): 0.25
 Kv (L/min): 1.1
 Kv EXH. (L/min): -
 Qmax (L/min): 2.4

Temperature values (°C)

a. Fluid temperatures

	Min.	Max.
With air:	-10	75
With water:	0	75
With steam:	-	-
With oil:	-10	75

Pressure values (Bar)

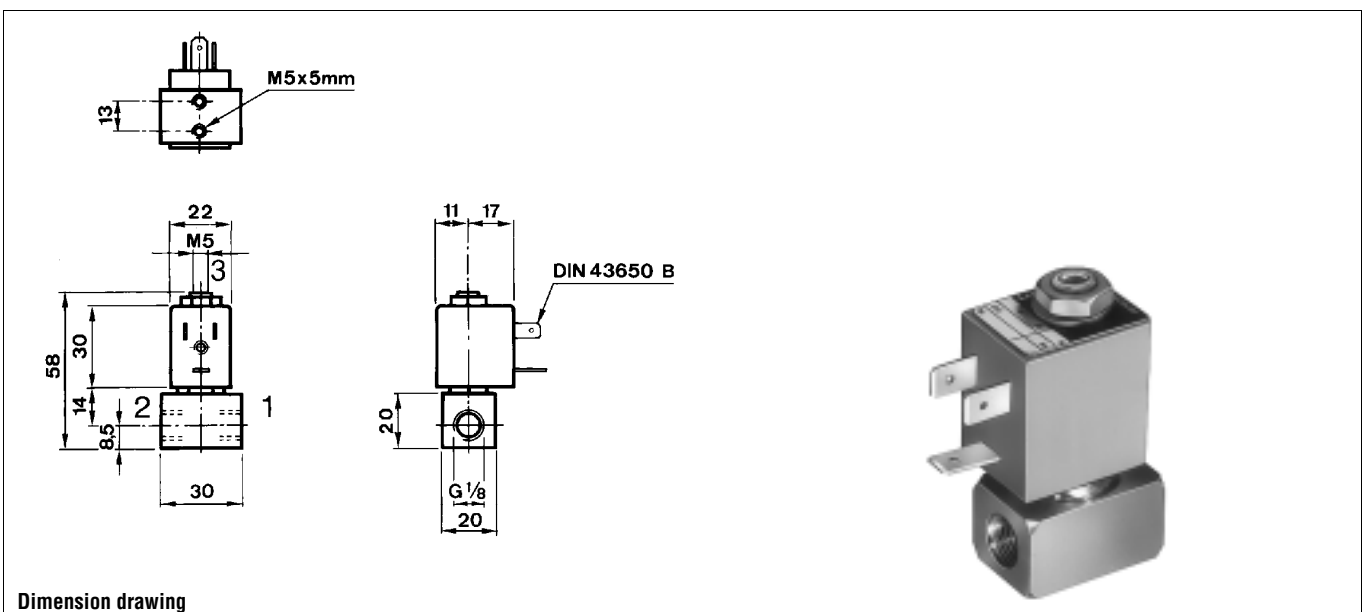
Min. pressure: 0.00
 Max. press. (DC): 7.00
 Max. press. (AC): 7.00

Power values (W)

Power DC: 2.5
 Power AC: 2

b. Ambient temperatures

Minimum: -10
 Maximum: 50



Dimension drawing