

### General information

Lucifer ref.: E131K03	Body: Brass body
Global ref.: 7131KBG2LV00	Seat disc: FKM
Housing ref.: 2995	Ways notation: 3/2
Coil ref.: 481865	Valve function: Normally closed
Protection class: -	Valve actuation: Direct operated
Assembly wt. (g): 310	Mounting: Pipe mounting



E, K, V Series

T, M Series

### Specifications

#### Connection / Orifice

Port size (inches): 1/4  
 Nom. dia. (mm): 2.5  
 Orifice EXH. (mm): -

#### Flow factors

Qn (L/min): 220  
 Qn EXH. (L/min): -  
 C (dm<sup>3</sup>/s bar): 0.81  
 Kv (L/min): 3.5  
 Kv EXH. (L/min): -  
 Qmax (L/min): 8.5

#### Temperature values (°C)

##### a. Fluid temperatures

	Min.	Max.
With air:	-25	100
With water:	0	100
With steam:	-	-
With oil:	-10	100

#### Pressure values (Bar)

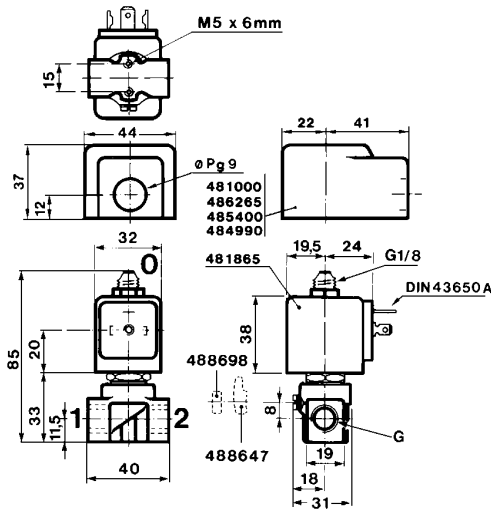
Min. pressure: -  
 Max. press. (DC): 7.00  
 Max. press. (AC): 7.00

#### Power values (W)

Power DC: 9  
 Power AC: 8

##### b. Ambient temperatures

Minimum: -25  
 Maximum: 50



Dimension drawing

