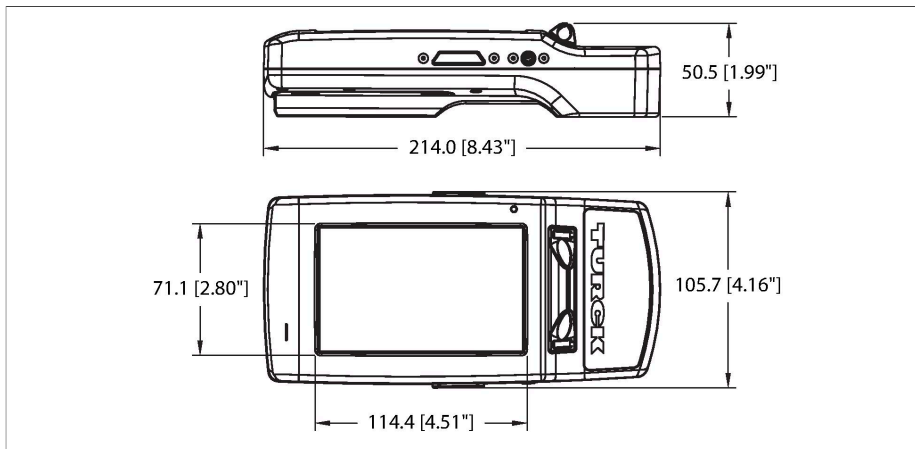


PD67-UNI-EU-RWBG

Handheld with Lithium-Ion Battery



Technical data

Type	PD67-UNI-EU-RWBG
Ident. no.	100004319
Operating temperature	-20...+55 °C, During charging max. +45 °C
Storage temperature	-20...+40 °C
Extended storage temperature range	-30...+70 °C (battery removed)
Relative humidity	Non-condensing at 40 °C
Electrical data	
Technology	UHF (860...960 MHz) HF (13.56 MHz)
Region (UHF)	Europe, India, Turkey (865...868 MHz)
Radio communication and protocol standards	ISO 15693 ISO 18000-63
Output power	5...30 dBm, adjustable
Antenna polarization	Simulated circular
Device features	NXP i.MX6 Solo ARM Cortex-A9, 800 MHz
Memory	4 GB Flash ROM; 1 GB DDR RAM
Add-on memory	1x SD card slot
Display	5.5", 800 × 480 Pixels, Touchscreen
Battery capacity	2400 mAh
Communication via	Bluetooth Low Energy V4.0, WLAN 802.11 b/g/n
Included software	Turck RFID software, SDK available as free download
Operating system	Custom Android ROM
Docking station connection type	USB 3.1 Type-C
Mechanical data	
Dimensions	214 x 105.7 x 50.5 mm
Weight	625 g

Features

- Mobile reading and writing of RFID data carriers
- Approved for use in the European Union, Turkey and India
- Handheld with HF and UHF antenna
- User-defined Android ROM
- Incl. TURCK RFID app for reading and writing of tags
- Customized software solution on request
- With WLAN 802.11b/g/n and Bluetooth Low Energy V4.0
- Replaceable 2400 mAh lithium-ion battery
- Incl. PD67-BATTERY, PD67-DOCK with power supply unit and USB-C cable, PD67-STYLUS
- Protection class IP67
- Withstands multiple drops on smooth concrete from 1.5 m height

Technical data

Housing material	Plastic, Polycarbonate/ABS, Black
Protection class	IP67

Accessories

PD67-POWERSUPPLY-EU	100016224	PD67-DOCK	100008120
	Power supply unit (including cable)		Docking station; power supply unit not included
PD67-STYLUS	100008121	PD67-BATTERY	100008123
	Stylus with lanyard		Replaceable battery, 2400 mAh
PD67-CHARGER	100008124		
	External battery charger		